

Phonak

PartnerMic™

This easy-to-use lapel worn microphone is ideal for one-to-one conversations in noisy environments. It can be attached anywhere close to the speaker's voice regardless of directionality or placement. With integrated Phonak AirStream™ technology, clients can benefit from clear speech streamed to their Phonak AirStream compatible hearing aids.

Technical Data

Dimensions (L x W x H)	55 x 30 x 18 mm (2.14 x 1.2 x 0.7 ")
Weight	18.2 g (0.04 lbs.)
Color	Champagne
Operating conditions	0° to +45° Celsius (+32° to +113° Fahrenheit). Relative humidity of <90% (non-condensing)
Transport and storage conditions	-20° to +60° Celsius (-4° to +140° Fahrenheit). Relative humidity of <95% for a long period of time

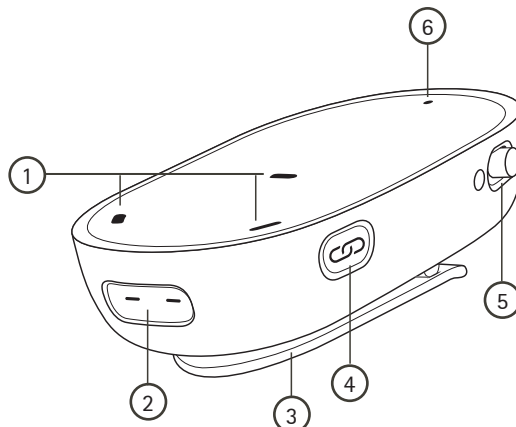


Features

- Out of the box pairing
- Always directional regardless of position
- Phonak AirStream™ technology

Device description

1	Microphone openings
2	Charging input
3	Clip
4	Pairing button
5	Power switch On/Off
6	Indicator light (LED)



Battery information

Type	Lithium Polymer 3.7 VDC. Embedded, not removable
Capacity	230 mAh (typ.)
Operating time	Up to 6 hours streaming
Charging time	2 hours (typ.)

Power supply

Type	DC, stabilized
Secondary voltage	5 VDC
Max. current	1 A
Plug	USB-C
Important notice	Only use the original Phonak power supply

Audio information

Audio quality	120 Hz - 7.3 kHz
---------------	------------------

Radio information

Streaming technology	AirStream technology
Frequency range	2.4 GHz ISM band
RF power	20 mW max. (conducted)
Transmission range	Up to 25 meters / 80 feet
Max. connected devices	1 pair of hearing aids

Standards

Europe	EN 300 328; EN 301 489; IEC/EN 60601-1-2; IEC/EN 62479; EN/IEC 62368-1; IEC 62133
Canada	RSS-247; RSS-102
Japan	ARIB-T66
USA	CFR 47, part 2.1093; KDB 447498

Compatibility note

Phonak PartnerMic is only compatible with Phonak direct streaming hearing aids.

For further information please visit our website:

www.phonakpro.com/PartnerMic